

**ELCOM d.o.o.** is specialized in Totally Integrated Automation (TIA), containing electrical engineering and software development for the automation of production processes and machines, production of MCC and control cabinets as well as onsite installation, commissioning and acceptance testing (FAT, SAT, SIT)



## Automation solution for Coke gas burning facility

**Customer: ArcelorMittal Steel Plant Zenica, BIH**



### Certificates

We have proven our competence as Siemens Solution Partner Automation in the following areas:

- Automation System SIMATIC
- Human Machine Interface SIMATIC HMI
- Process Control System PCS7

### Process description

Coke is used as a fuel and as a reducing agent in smelting iron ore in a blast furnace.

Since smoke-producing constituents are driven off during the coking of coal, coke forms a desirable fuel for stoves and furnaces in which conditions are not suitable for the complete burning of bituminous coal itself. Coke may be burned with little or no smoke under combustion conditions, while bituminous coal would produce much smoke.

Large amounts of this gas, which represents a high-quality and low-cost fuel in purified or partially purified form, result from gasification of coal or as a by-product of coal degassing at coking plants.

### Project overview

Project included:

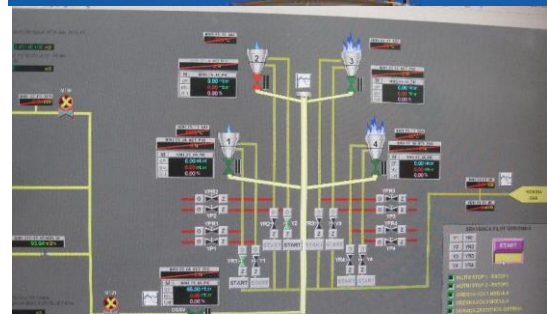
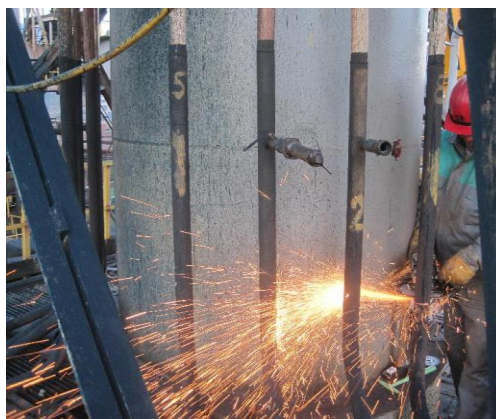
- Engineering
- Programming
- Production
- Assembly
- Delivery
- Delivery and installation of new compensators
- Delivery and installation of new AUMA EX valves
- Delivery and installation of new UPS system
- Commissioning



### Solution

The solution needs a fast replacement of the complete system for Coke gas burning facility.

Replacement of all drives, measurements and sensors. In this project all equipment which is going to be installed on needs to be ATEX certified.



### Information about the Siemens Solution Partner Program

Under the Siemens Solution Partner Automation and Power Distribution Program, we join forces with our Solution Partner. By merging our product and systems expertise with the application and industry knowledge of our partners, we have created a common basis for the fast, smooth and highly efficient implementation of your requirement – customized solutions for your competitive advantage.

[www.siemens.com/automation/solutionpartner](http://www.siemens.com/automation/solutionpartner)

### ELCOM d.o.o.

M.M.Dizdara-Stupine B-2  
75 000 Tuzla  
Bosnia and Herzegovina  
Phone: +387 35 305-700  
Fax: +387 35 305-710  
[www.elcom.ba](http://www.elcom.ba)  
[info@elcom.ba](mailto:info@elcom.ba)

